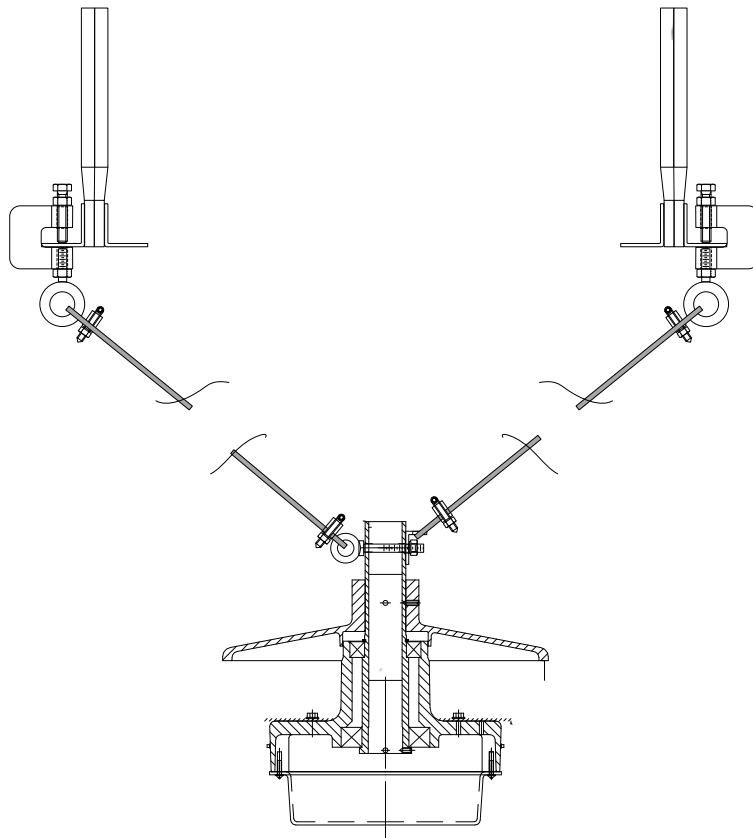


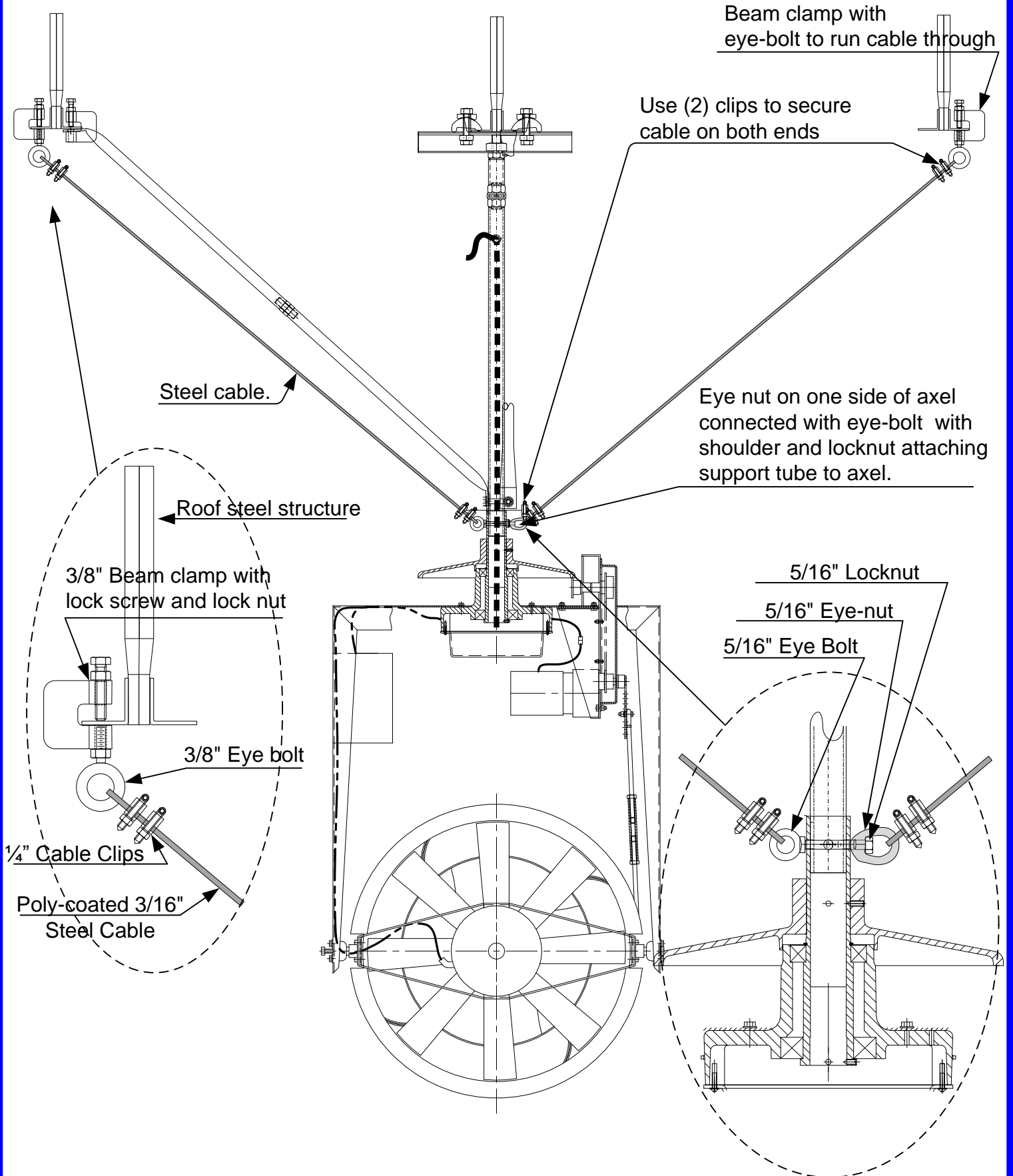
'SCK'

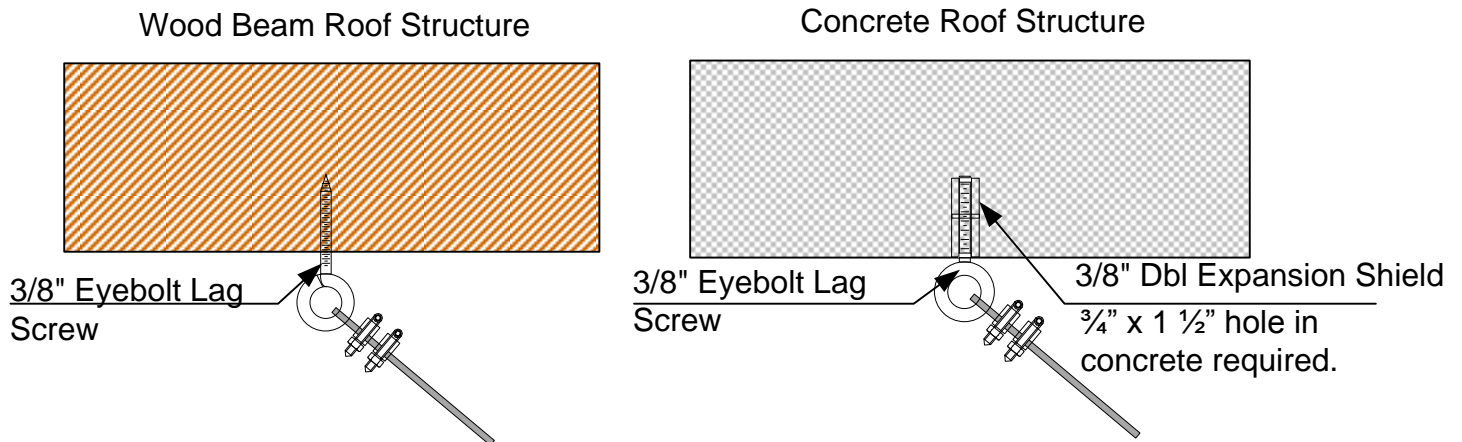
Safety Cable Kit



SonicAire

TYPICAL INSTALLATIONS





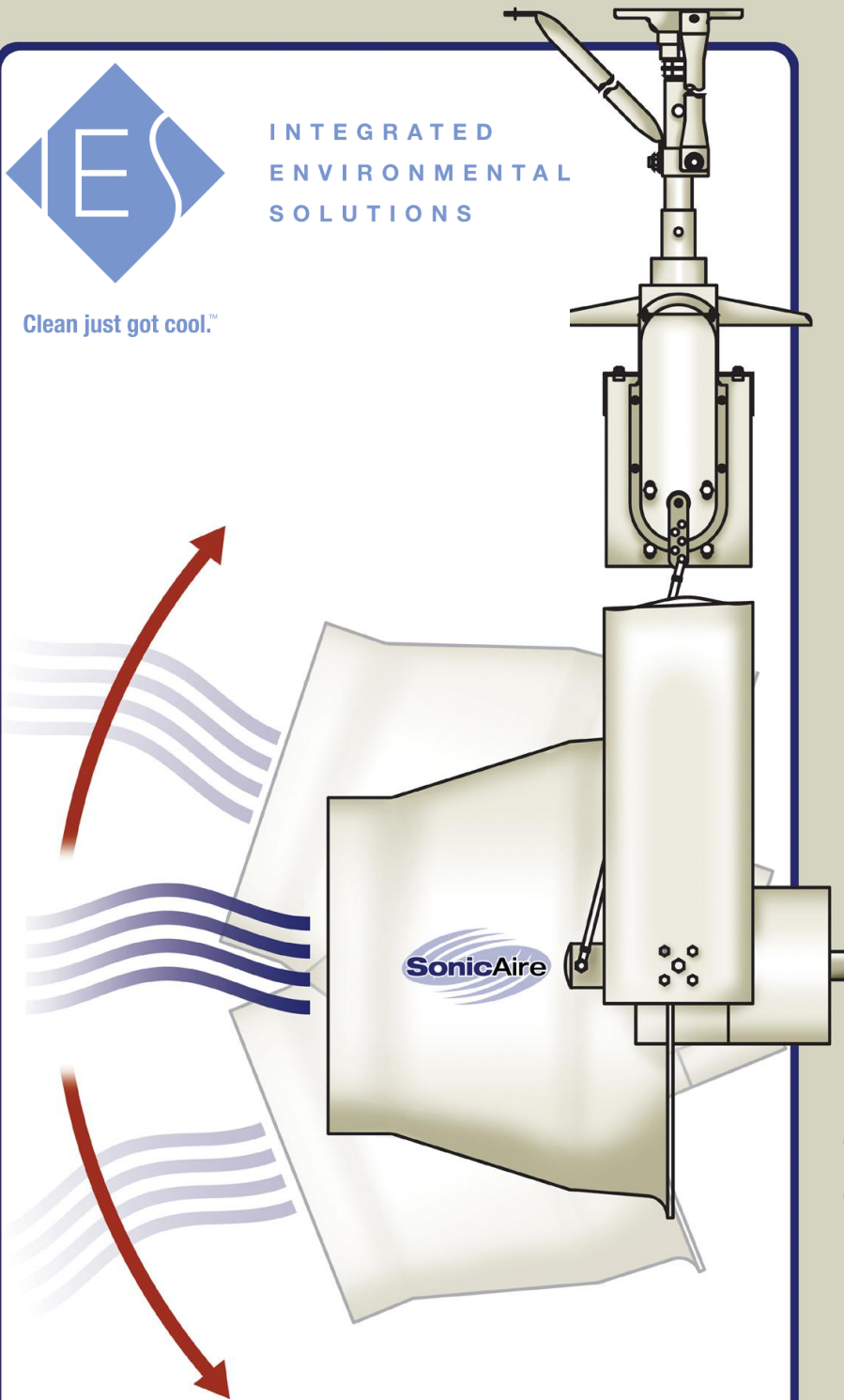
INSTALLATION DIRECTIONS

1. Run the 5/16" x 2 1/4" Eye-bolt thru the Axel and Support tube.
2. Thread 5/16" Eye-nut onto Eye-bolt.
3. Thread 5/16" Lock-nut onto Eye-bolt behind the Eye-nut.
4. Loop 2" of 3/16" poly cover steel cable thru Eye of Eye-Bolt and secure cable to Eye with (2) 1/4" Clips.
5. Loop 2" of 3/16" poly cover steel cable thru Eye of Eye-Nut and secure cable to Eye with (2) 1/4" Clips.
6. Secure Eye-bolt to overhead structure depending on the overhead material of construction.
 - A. Steel:
 1. Attach both (2) 3/8" beam clamps to overhead steel flanges, with set screw and locknut, in such a manner that they are 180 degrees apart with respect to the Axel.
 2. Screw 3/8" x 3/4" Eye-bolt into the bottom of each beam clamp.
 - B. Wood:
 1. Screw both (2) 3/8" Screw Lag-Bolts into wood beams in such a manner that they are 180 degrees apart with respect to the Axel. Screw into wood a minimum of 2".
 - C. Concrete:
 1. Drill a 3/4" diameter hole 1 1/2" deep into over concrete structure where you want to secure your safety cable. Secure locations need to be 180 degrees apart with respect to the Axel.
 2. Insert a 3/8" Expansion Shield into both of the 3/4" holes.
 3. Screw 3/8" x 1 1/4" Eye-bolts into both Expansion Shields.
7. Loop 2" of 3/16" poly cover steel cable thru the Eye of both Eye-Bolts and secure cable to Eye with (2) 1/4" Clips. Make sure you pull the cable tight before securing Clips; and cut of excess cable.



INTEGRATED
ENVIRONMENTAL
SOLUTIONS

Clean just got cool.™



6220 Hacker Bend Ct., Ste. F
Winston-Salem, NC 27103

P: 336-712-2437

F: 810-454-0452

Sales@IESclean.com

www.IESclean.com



Changes in the design, materials and specifications may be made without notice to customers.