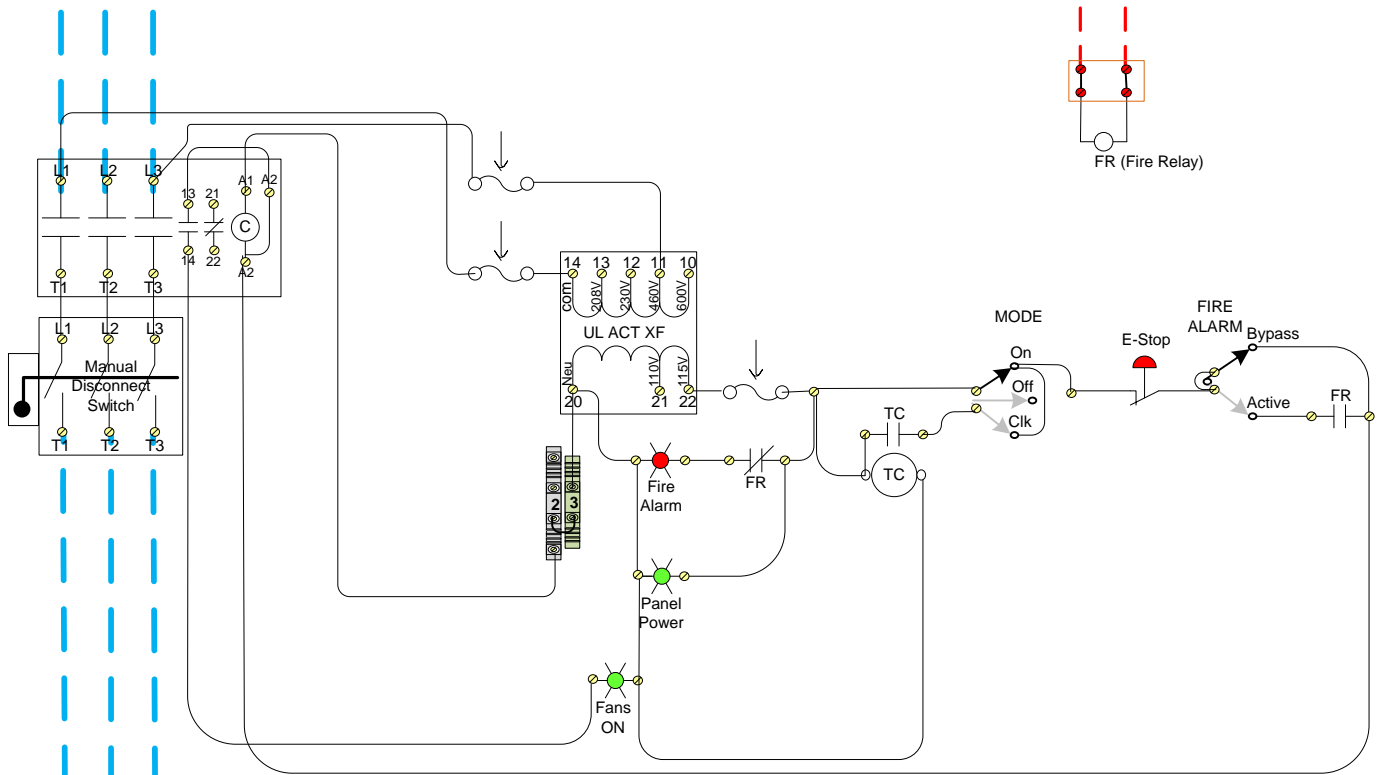


'EFC-ACT-LOTO'

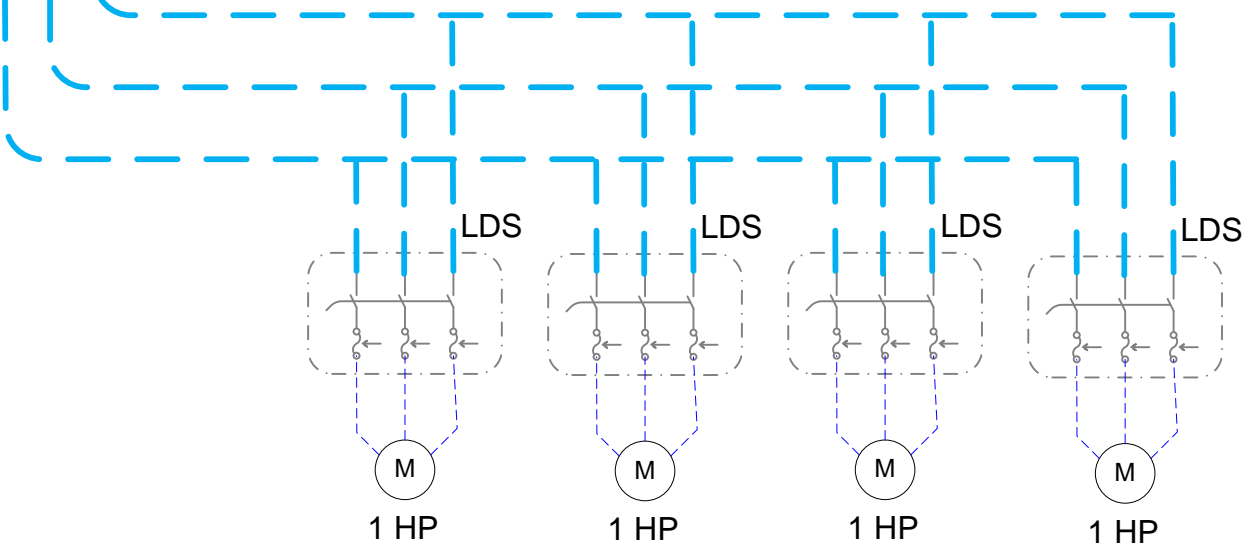


Power from Owners Power Panel

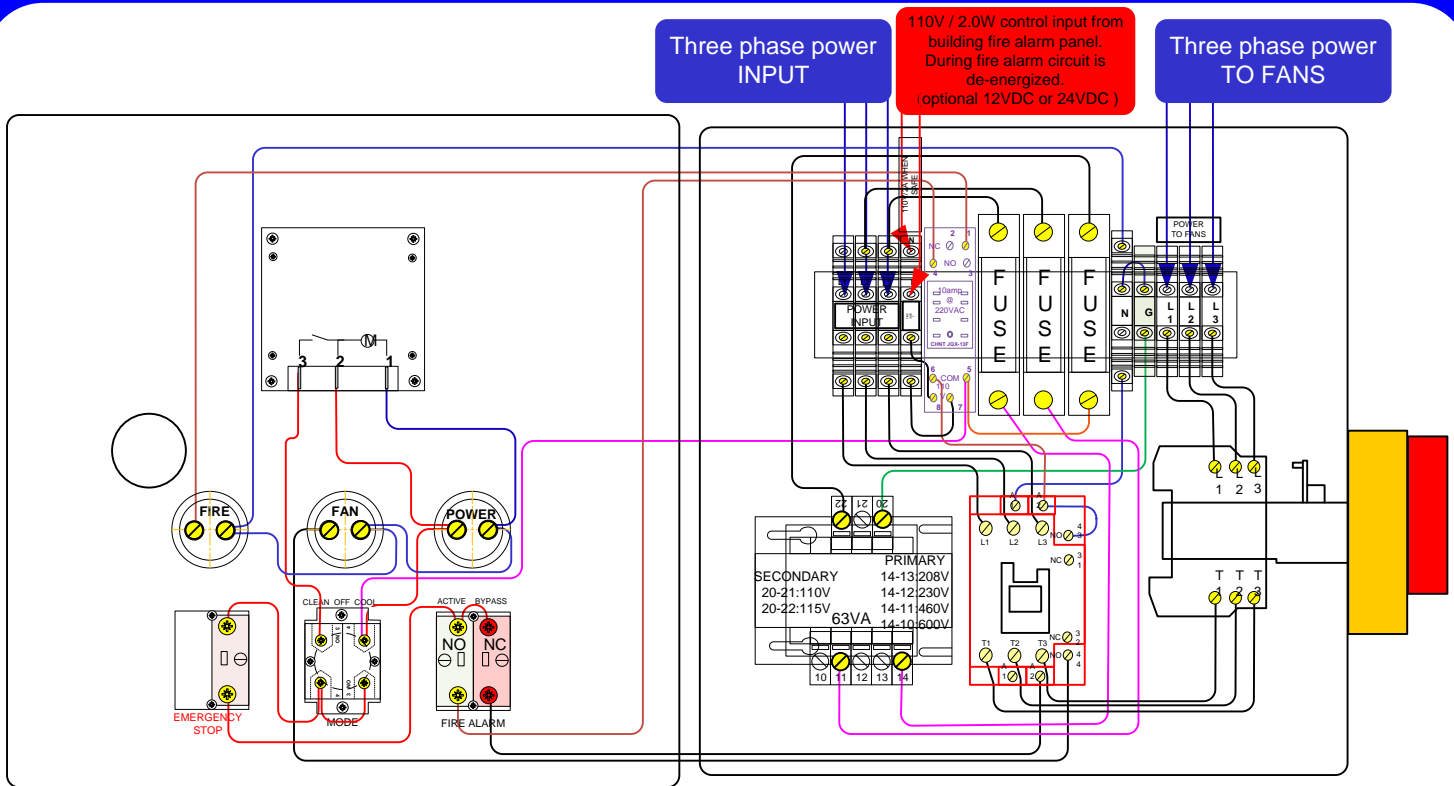
110V / 2.0W control input from building fire alarm panel. During fire alarm circuit is de-energized.
(Optional 12VDC and 24VDC relays)



Power Wiring by Owner



WIRING DIAGRAM



The EFC-ACT-LOTO enables the owner/manager to automatically turn OFF the SonicAire fans whenever the fire alarm system detects a fire.

An E-Stop push button allows any worker in the plant to turn OFF the SonicAire fans in case of an emergency.

The FIRE ALARM switch allows a manager to override the fire alarm system (BYPASS) during testing or maintenance of the fire alarm system. The switch is in the ACTIVE position when the fire alarm system is active.

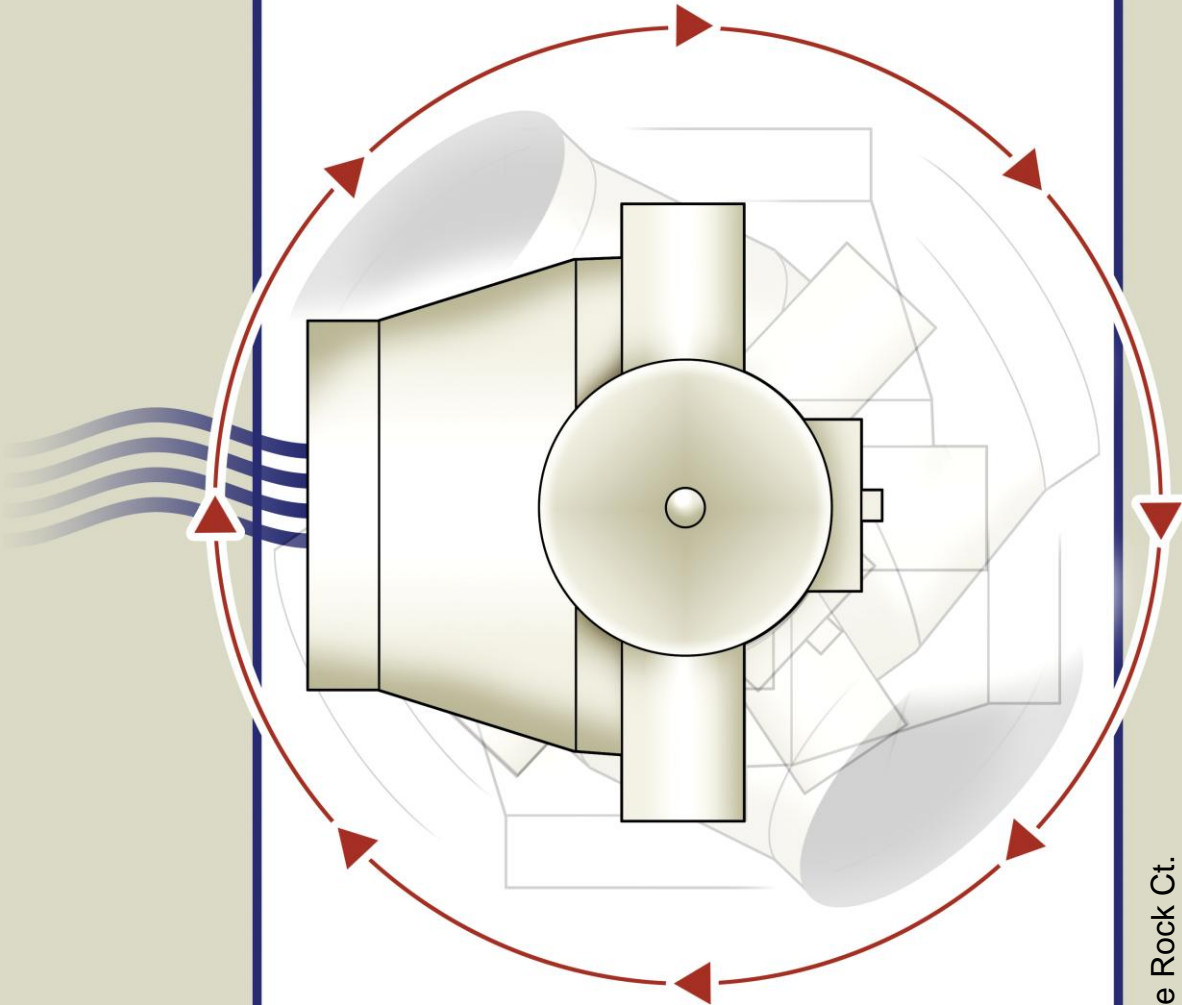
An electronic clock will enable the owner/manager to program his SonicAire fans to automatically turn ON for cleaning and then turn OFF when the cleaning cycle is complete. The fans can also be turned ON and OFF manually with the HOA switch.

A manual disconnect switch allows any worker to lock out tag out the power from the panel going to the SonicAire fans.



INTEGRATED
ENVIRONMENTAL
SOLUTIONS

Clean just got cool.™



v.1

top view illustration

SonicAire

691 Blue Rock Ct.
Winston-Salem, NC 27103
Ph: 336-712-2437
Fax: 810-454-0452
Email: Sales@IESclean.com
Website: www.IESclean.com