

'UMP'

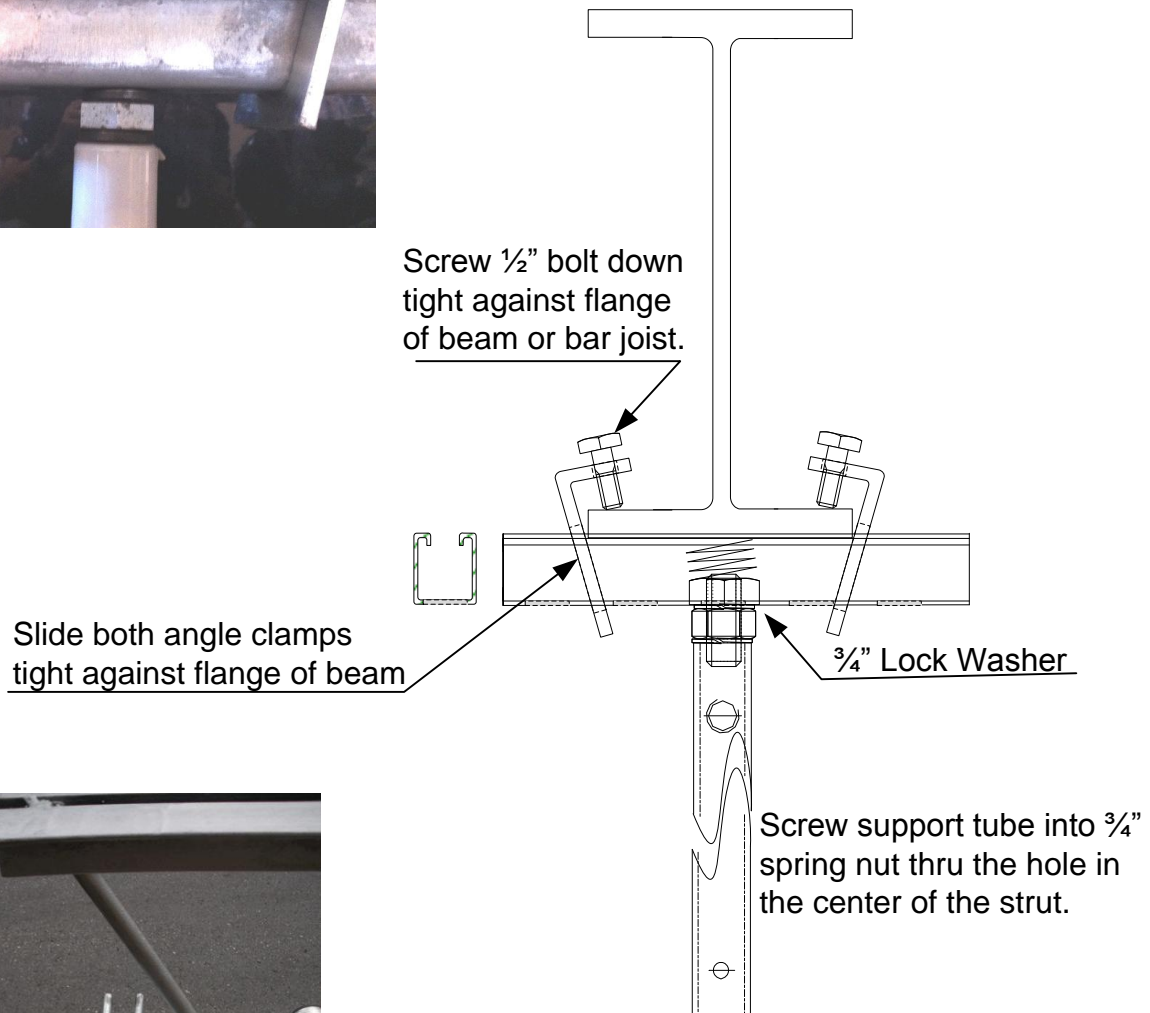
Universal Mounting Platform



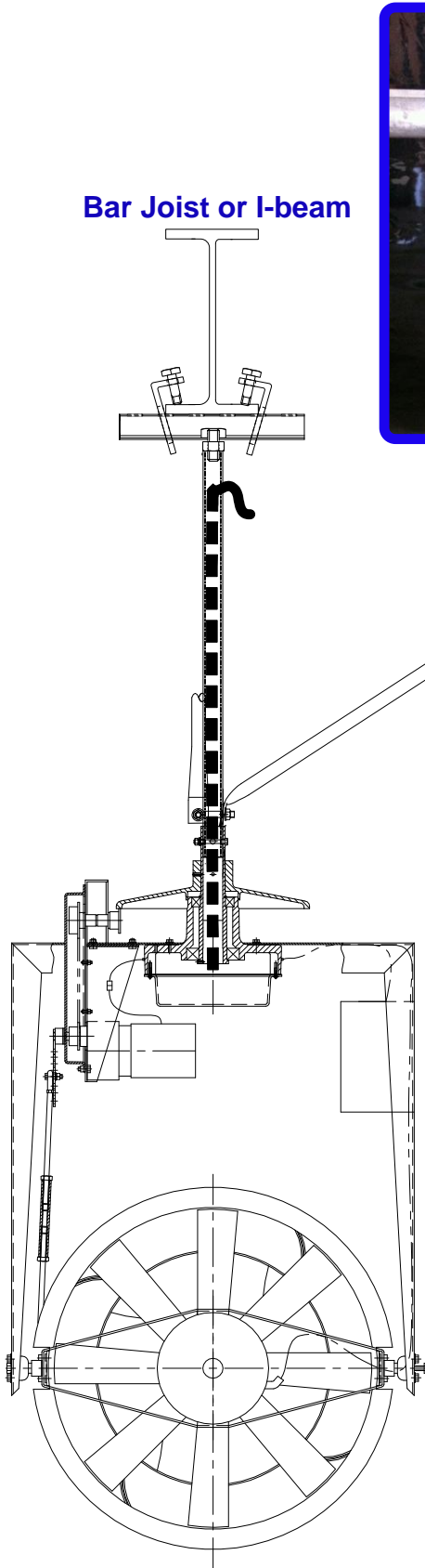
TYPICAL INSTALLATIONS



ATTACHING 'UMP-L' TO FLANGED STEEL MEMBER



You should now have the support tube and two beam clamps assembled to the support strut as shown above.



Bar Joist or I-beam

Bar Joist or I-beam

ATTACH THE UMP TO THE AXEL OF THE FAN

1. RUN ELECTRICAL CABLE THROUGH SUPPORT AND OUT ELECTRICAL HOLE.
2. SLIDE SUPPORT TUBE INTO AXEL AS YOU PULL CABLE OUT HOLE.
3. LINE UP BOLT PASS THROUGH HOLES IN AXEL WITH SUPPORT TUBE.
4. INSTALL M8 BOLT THROUGH AXEL AND SUPPORT TUBE (BE CAREFUL NOT TO CUT WIRE OR CABLE).
5. SCREW LOCK NUT ONTO M8 BOLT.
6. ATTACH RIGHT ANGLE SWAY BRACE BRACKET ONTO SUPPORT TUBE JUST ABOVE AXEL.
7. INSTALL ELECTRICAL STRAIN RELIEF FITTING OVER POWER CABLE AND INTO THE SUPPORT TUBE.

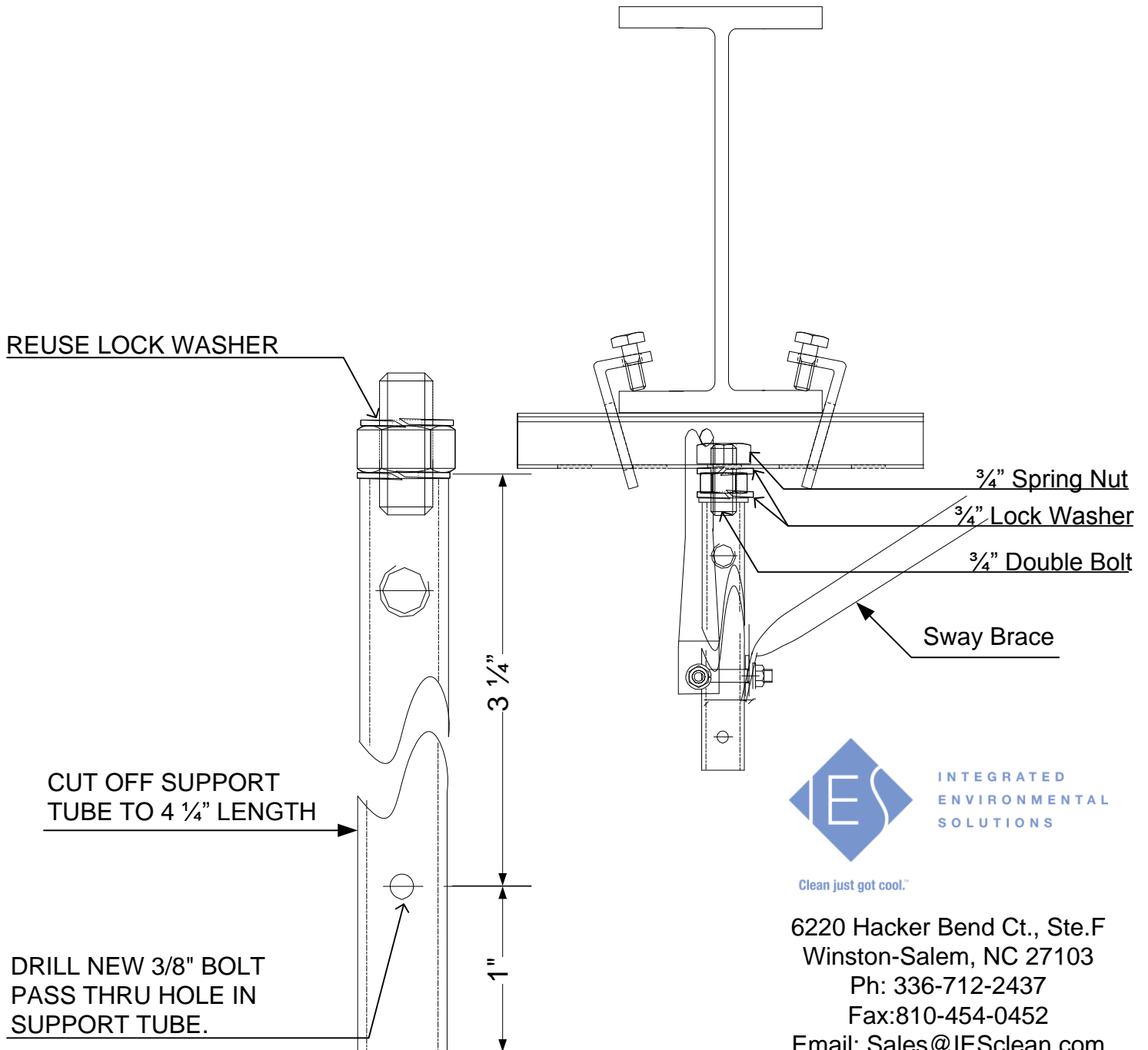
RAISE FAN WITH SUPPORT TUBE ONTO BOTTOM OF BAR JOIST OR I-BEAM SELECTED TO SUPPORT THE FAN

1. SLIDE BOTH BEAM CLAMPS ONTO BOTH SIDES OF THE BAR JOIST OR I-BEAM AND TIGHTEN ½" BOLTS AND LOCK TIGHT WITH NUTS.
2. ATTACH (2) SWAY BRACES (AT 90 DEGREE ANGLES FROM EACH OTHER) TO OVERHEAD STEEL WITH BEAM CLAMP AND TO BRACKET ON LOWER END OF SUPPORT TUBE.
3. BRING ELECTRICAL POWER TO FAN.

INSTALLATION DIRECTIONS

SUPER SHORT INSTALLATIONS

ATTACHING 'UMP' TO FLANGED STEEL MEMBER



INTEGRATED
ENVIRONMENTAL
SOLUTIONS

Clean just got cool.™

6220 Hacker Bend Ct., Ste.F
Winston-Salem, NC 27103

Ph: 336-712-2437

Fax: 810-454-0452

Email: Sales@IESclean.com

Website: www.IESclean.com

Changes in the design, materials and specifications may be made without notice to customers.