

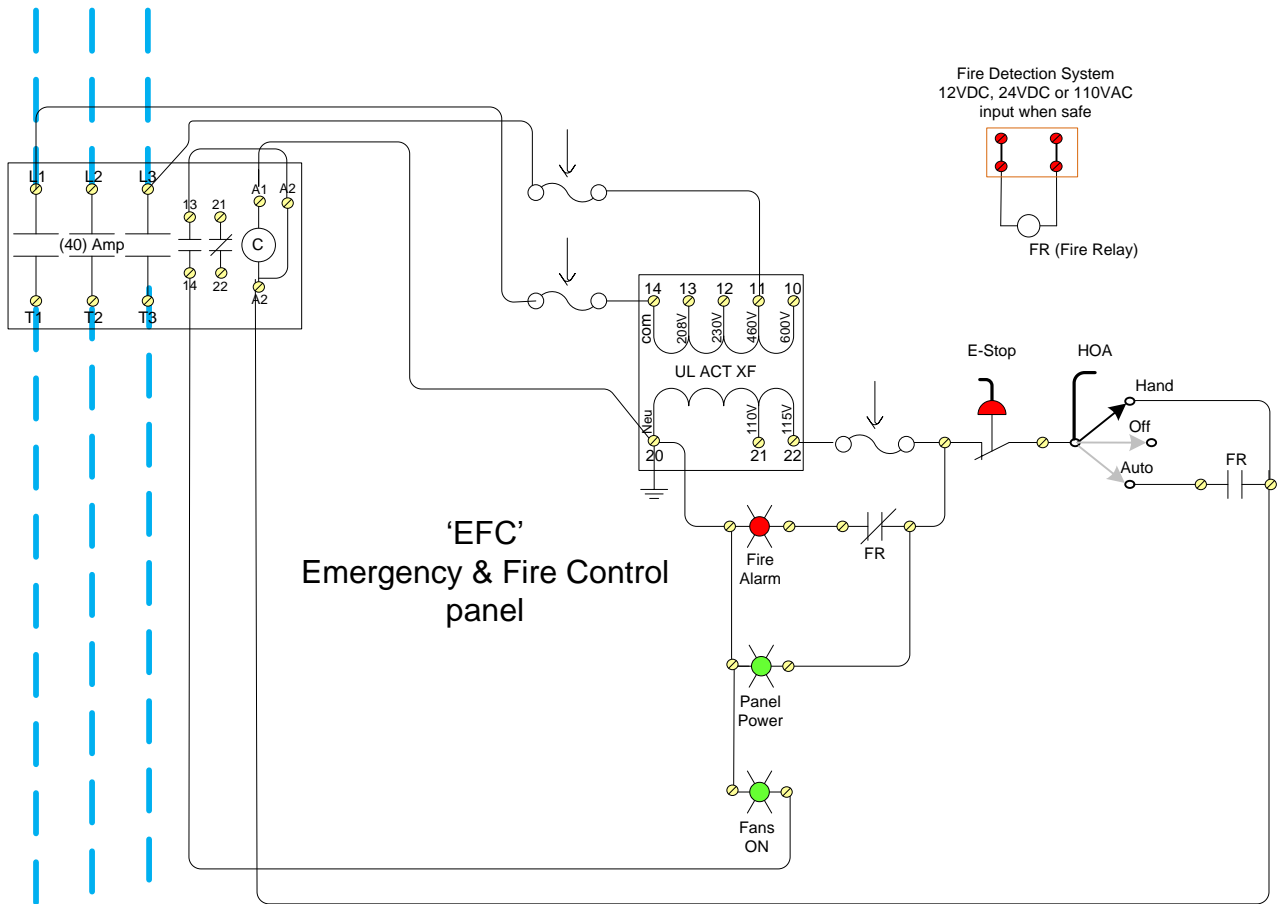
'EFC'

Emergency & Fire Control

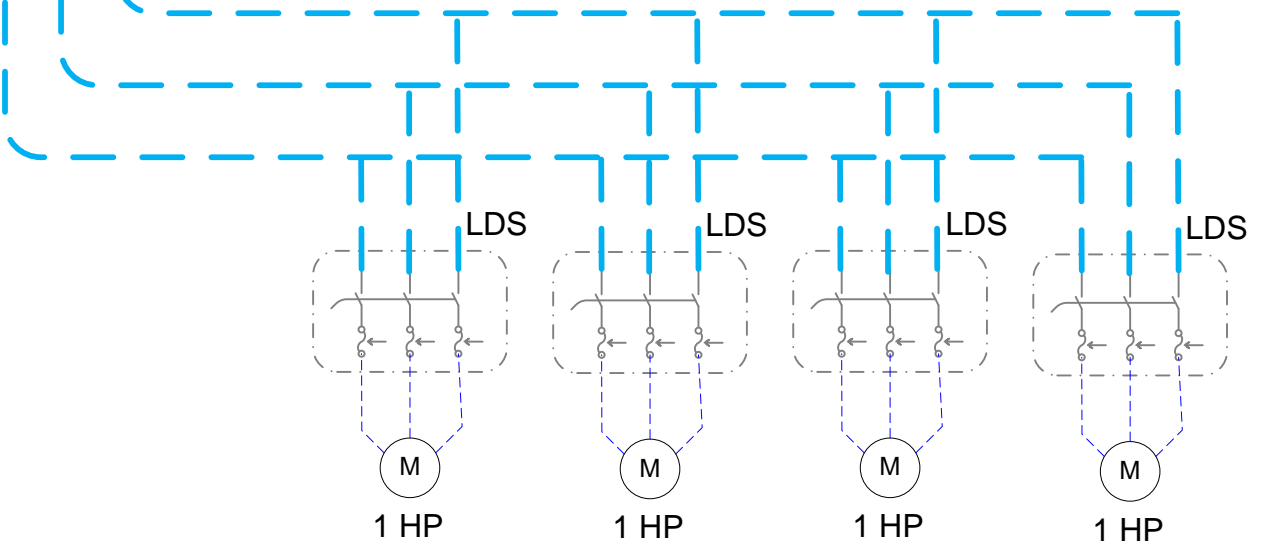


SonicAire

**Power from Owners
Power Panel**



Power Wiring by Owner

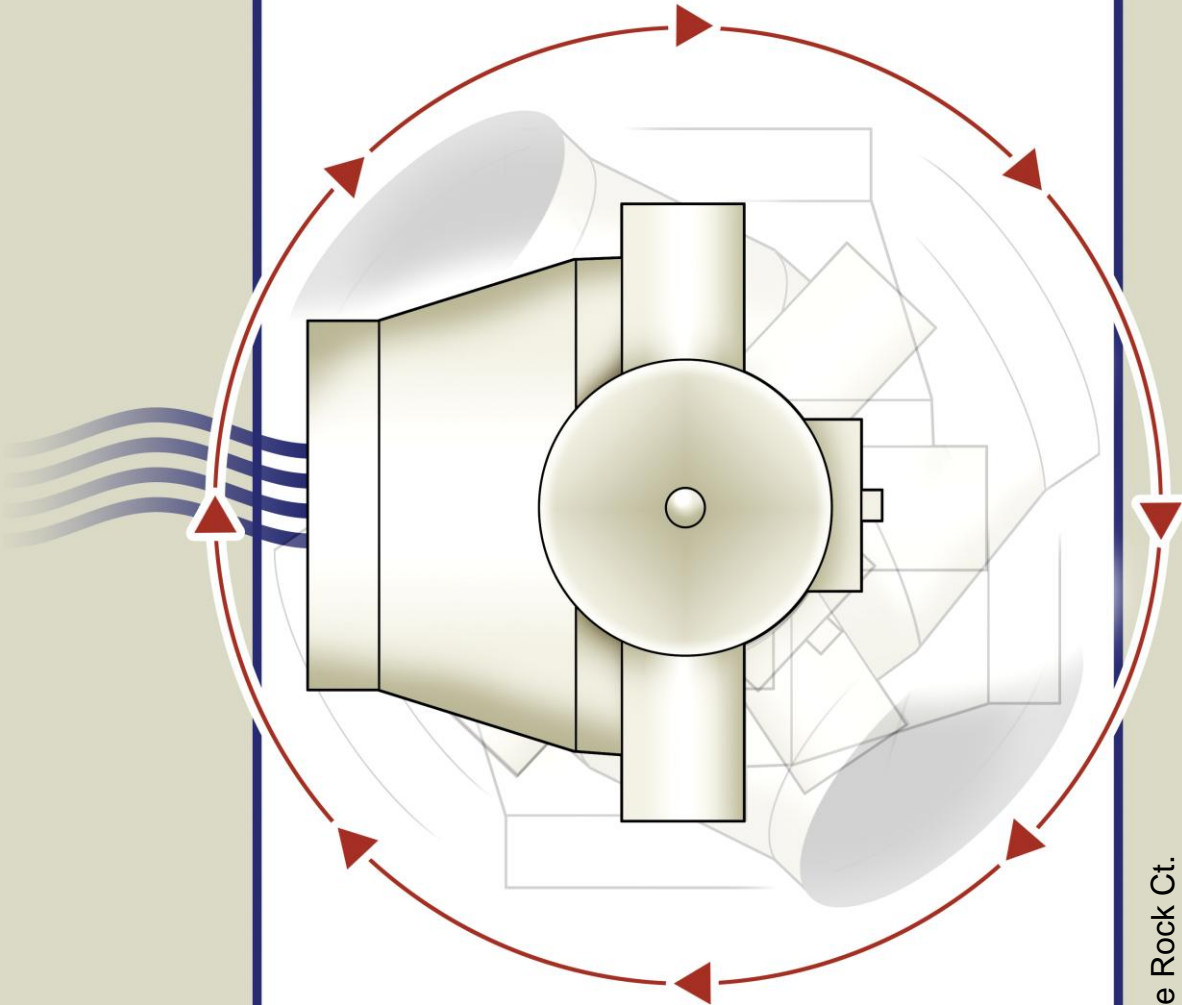


WIRING DIAGRAM



INTEGRATED
ENVIRONMENTAL
SOLUTIONS

Clean just got cool.™



v.1

top view illustration

SonicAire

691 Blue Rock Ct.
Winston-Salem, NC 27103
Ph: 336-712-2437
Fax: 810-454-0452
Email: Sales@IESclean.com
Website: www.IESclean.com