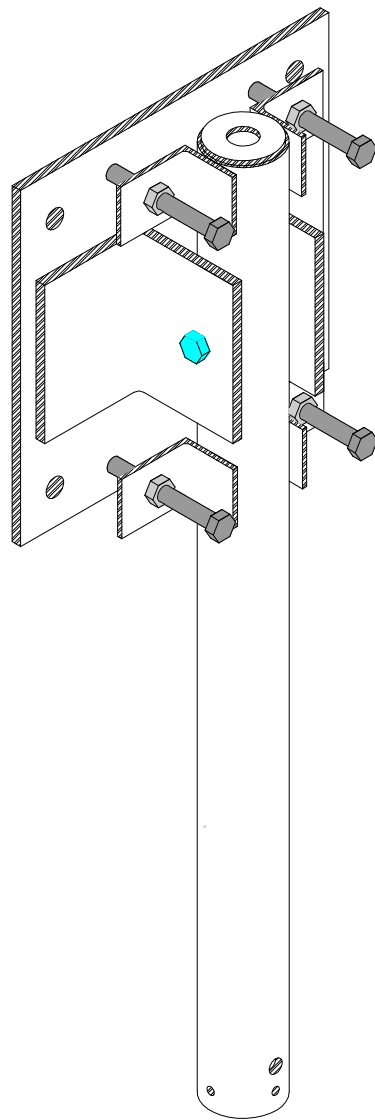
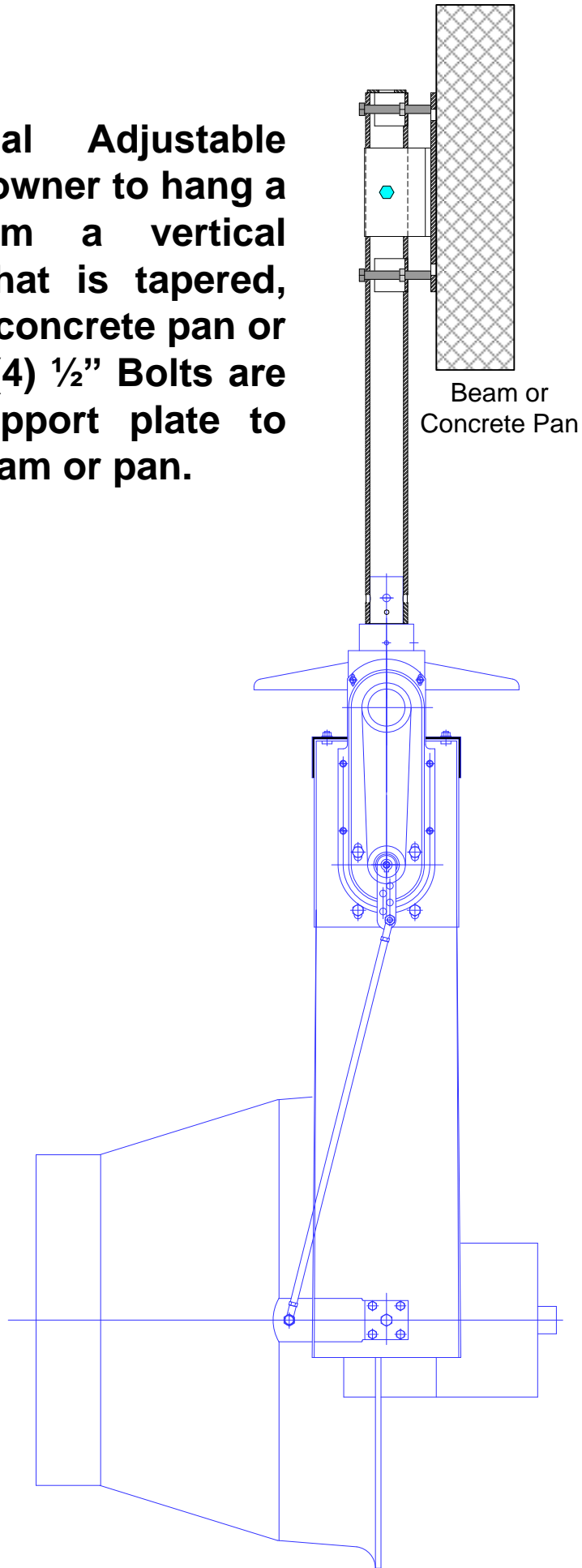
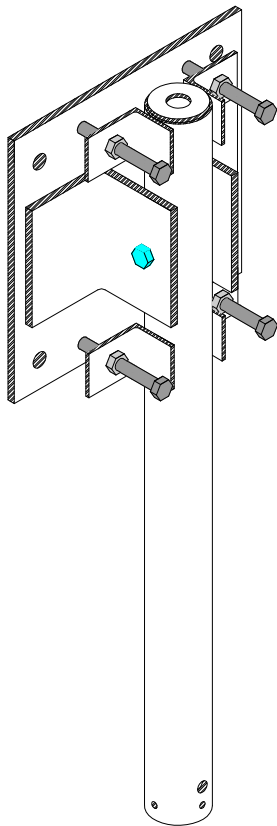


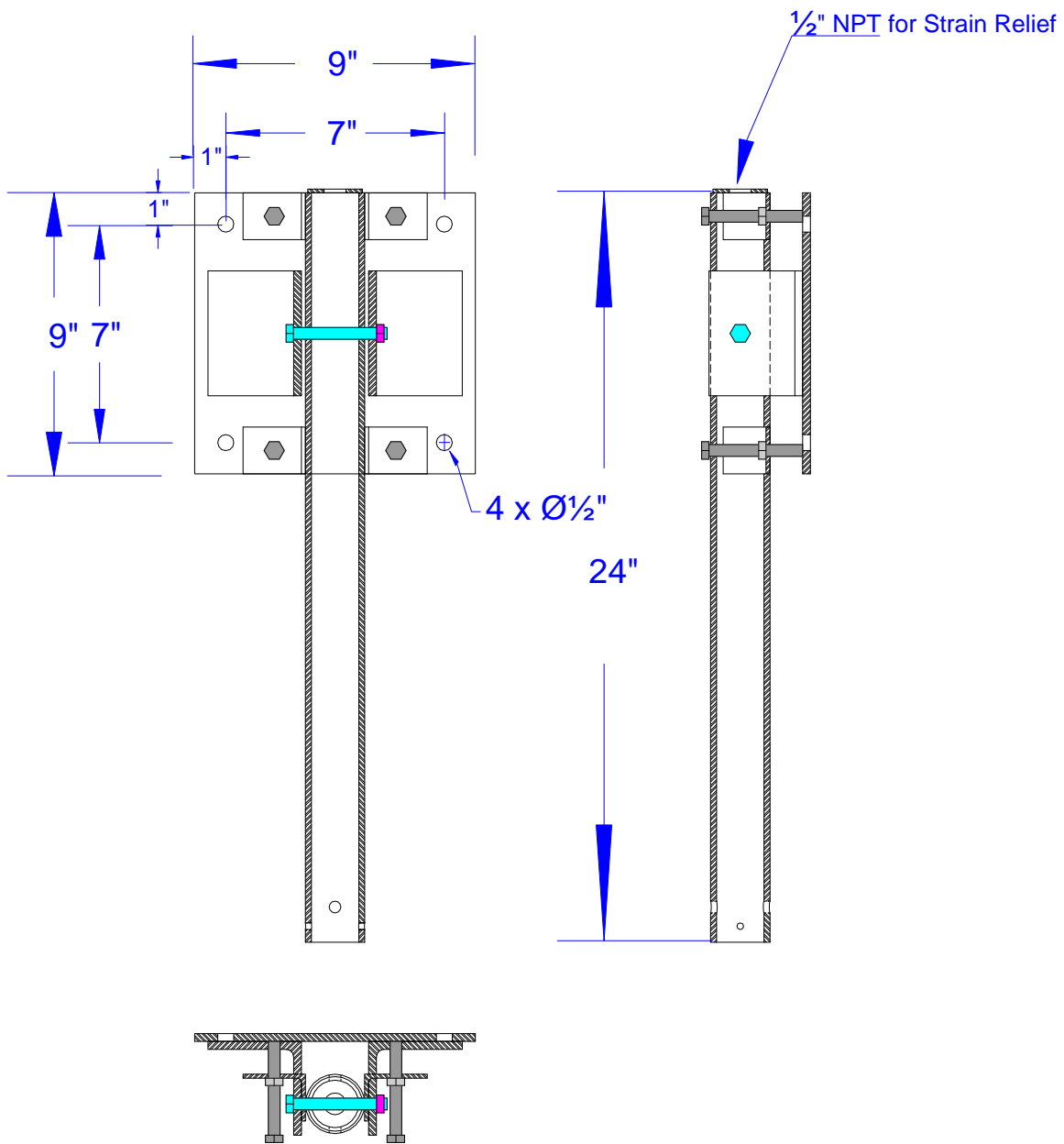
'VAS'

"Vertical Adjustable Support"



The 'VAS' Vertical Adjustable Support enables an owner to hang a SonicAire fan from a vertical support structure that is tapered, such as a structural concrete pan or beam roof support. (4) 1/2" Bolts are used to secure support plate to owners structural beam or pan.



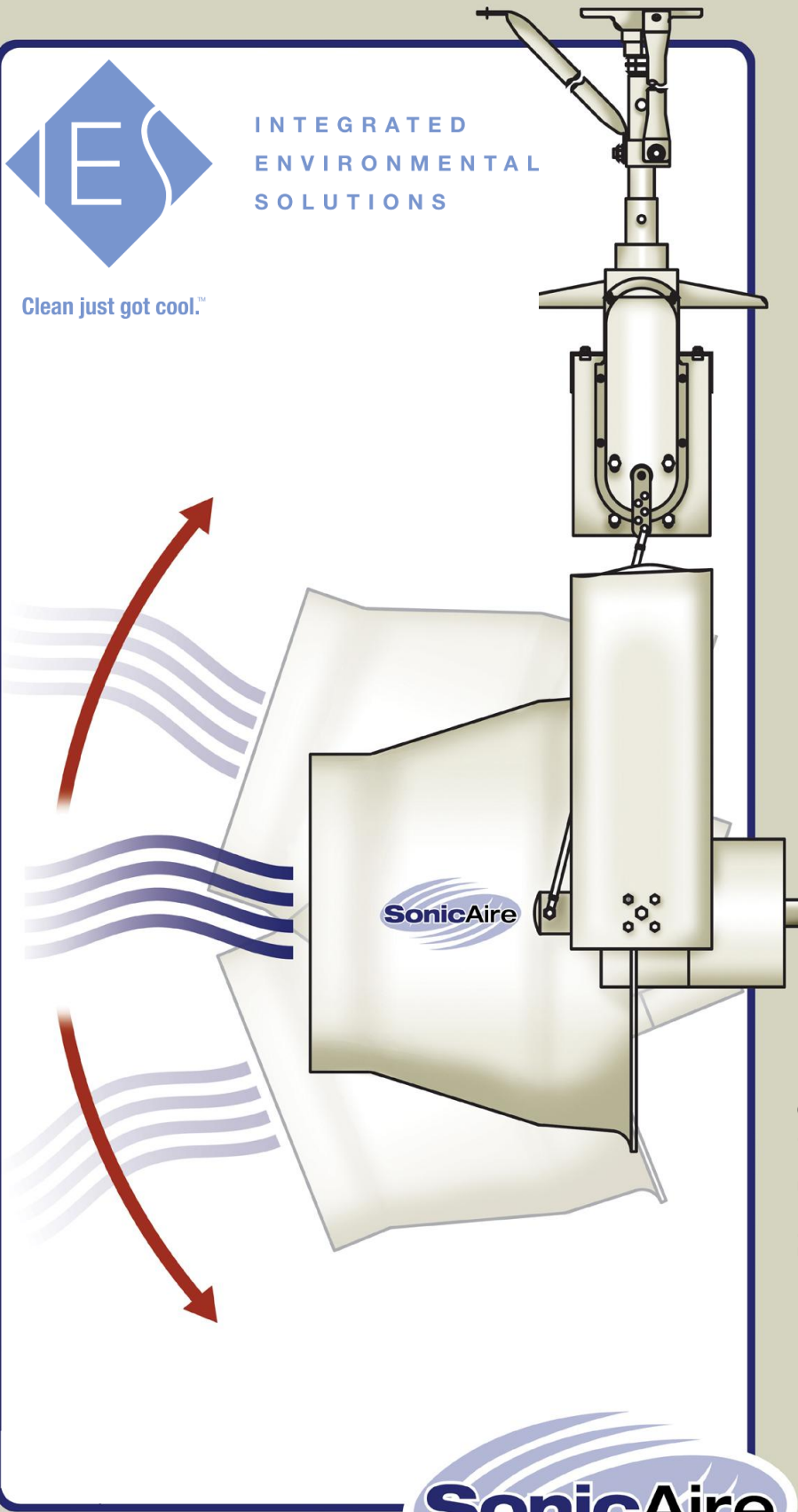


DIMENSIONAL INFORMATION FOR VMS



INTEGRATED
ENVIRONMENTAL
SOLUTIONS

Clean just got cool.™



691 Blue Rock Ct.
Winston-Salem, NC 27103
Ph: 336-712-2437
Fax: 810-454-0452
Email: Sales@IESclean.com
Website: www.IESclean.com

SonicAire

Changes in the design, materials and specifications may be made without notice to customers.