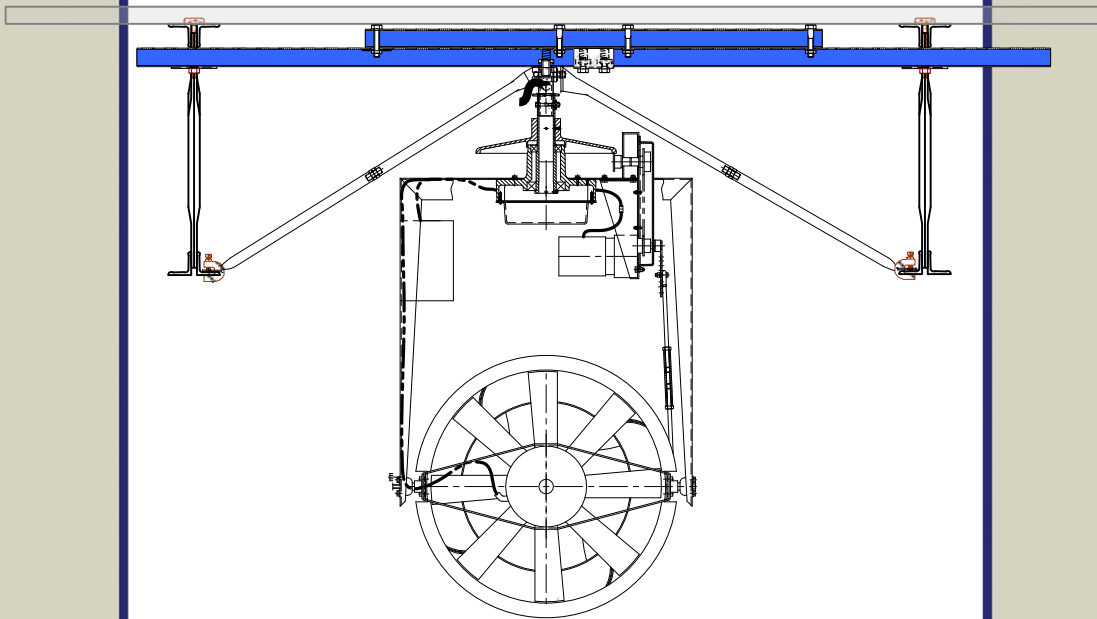


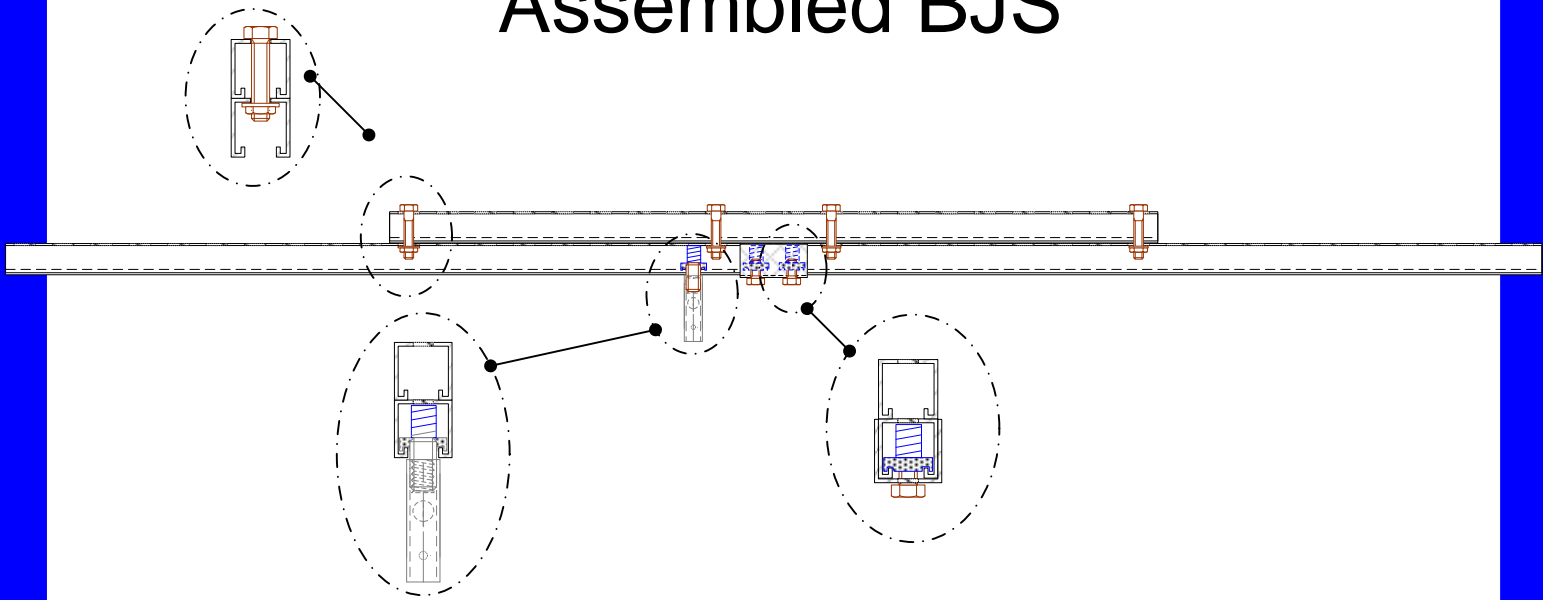
# 'BJS<sup>2</sup>'

## Bar Joist Support Strut



**SonicAire**

# Assembled BJS<sup>2</sup>

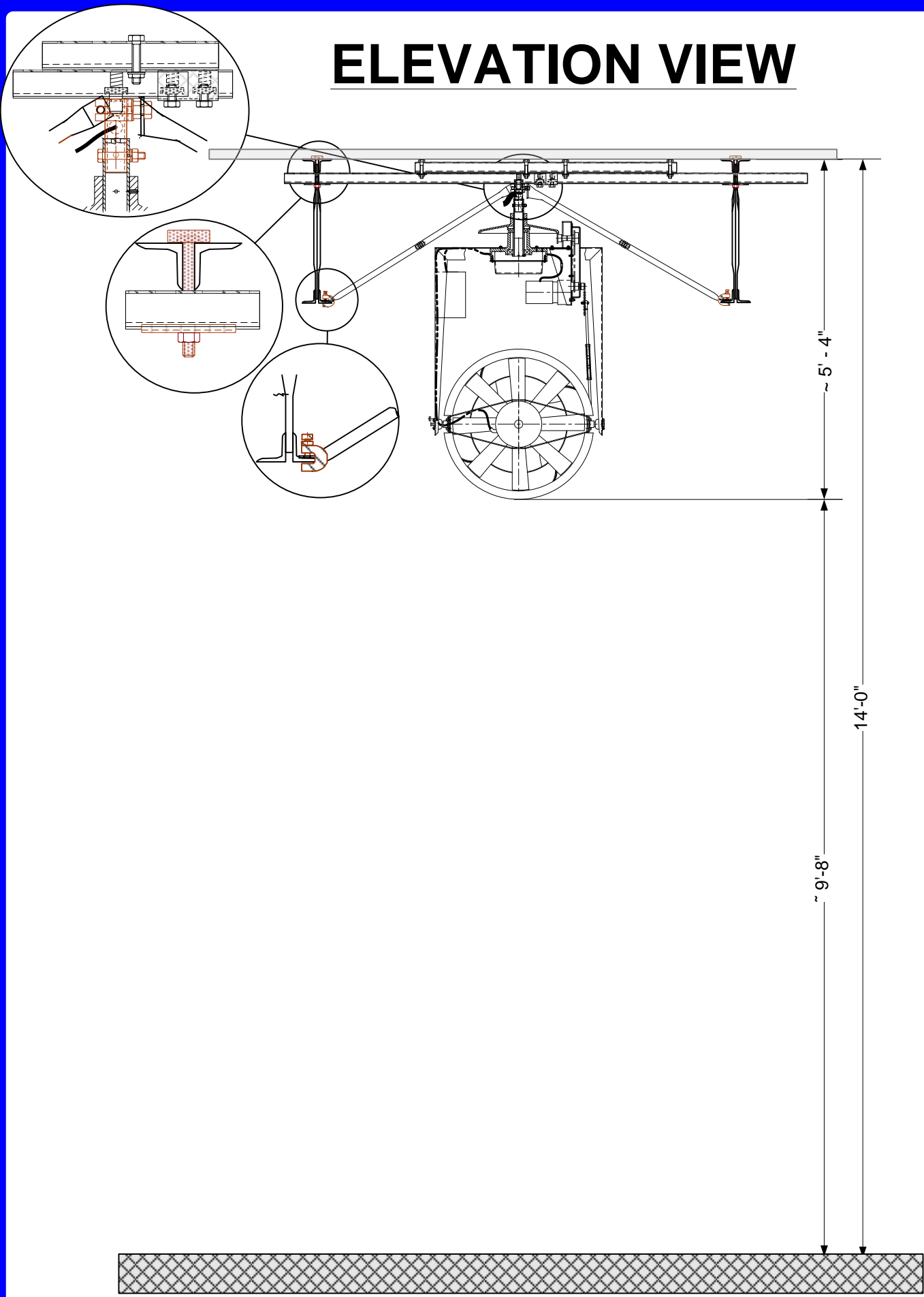


The BJS<sup>2</sup> 'Bar Joist Support Strut' was developed for plants with low ceiling heights. The BJS<sup>2</sup> enables the owner to hang his SonicAire fan at the maximum elevation above the floor. The higher hanging elevation will keep the bottom of the fan above the lights, ductwork, pipes and processing equipment. This enables the SonicAire to easily clean the top of virtually all items hanging in the ceiling as well as the top of the dry cleaning process equipment.

The BJS<sup>2</sup> comes packed in the SonicAire shipping container unassembled. All structural elements, specialty bolts and other fasteners are included for a quick and easy assembly in less than 10 minutes.

The installation of your SonicAire fan using the BJS<sup>2</sup> is very simple and easy. After assembling your BJS<sup>2</sup> support strut you will then attach it to the top angle iron elements of the bar-joist in your ceiling. Next you will lift your SonicAire fan up to the support tube, which is already installed on the BJS<sup>2</sup> strut. The axel on the SonicAire slips over the support tube and is secured by putting a bolt through the holes in the both the axel and support tube. Finally you secure the sway braces to both the support tube on one end and the bar-joist on the other end.

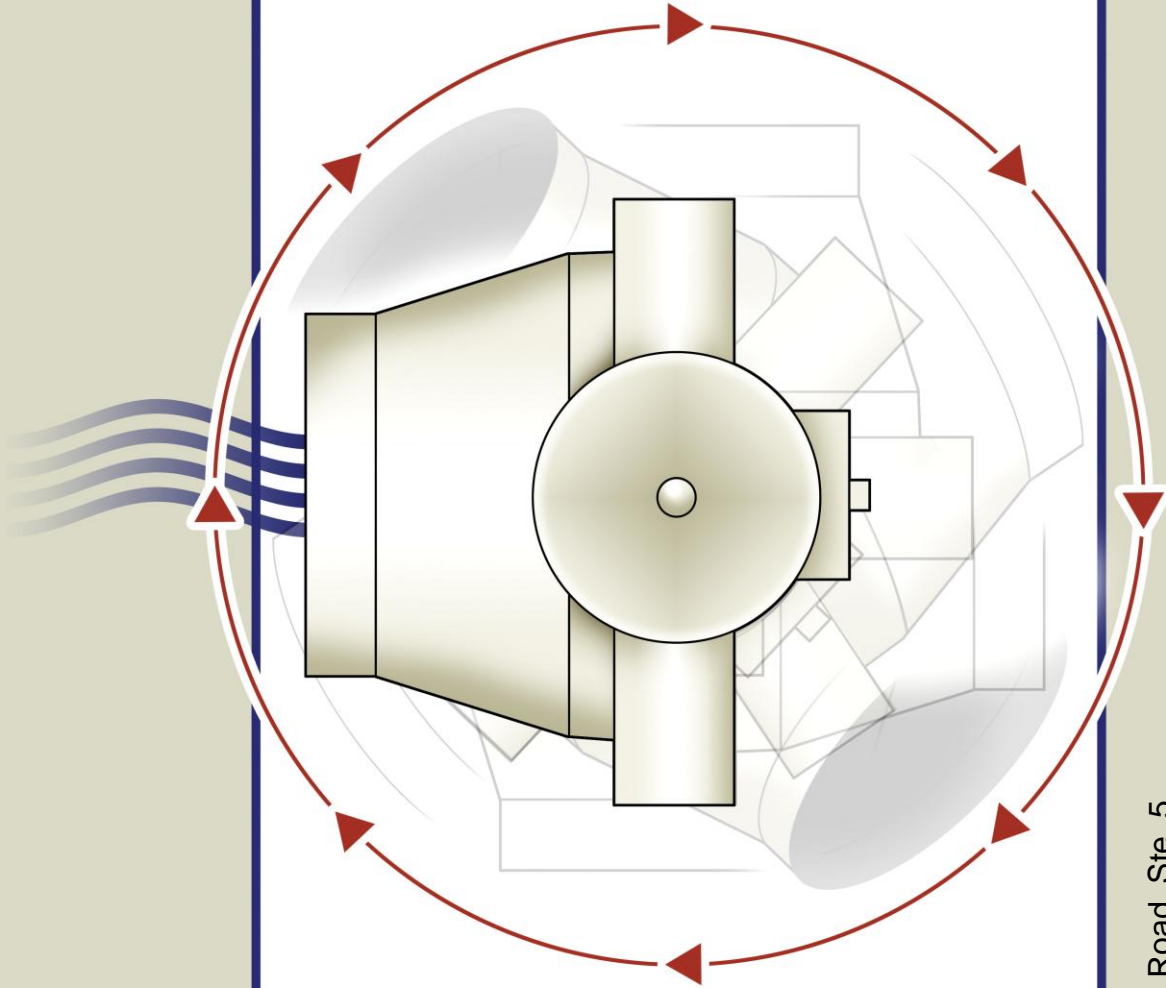
# ELEVATION VIEW





INTEGRATED  
ENVIRONMENTAL  
SOLUTIONS

Clean just got cool.™



v.1 top view illustration

**SonicAire**

3143 S. Stratford Road, Ste. 5  
Winston-Salem, NC 27103  
Ph: 336-712-2437  
Fax: 810-454-0452  
Email: [Sales@IESclean.com](mailto:Sales@IESclean.com)  
Website: [www.IESclean.com](http://www.IESclean.com)

Changes in the design, materials and specifications may be made without notice to customers.