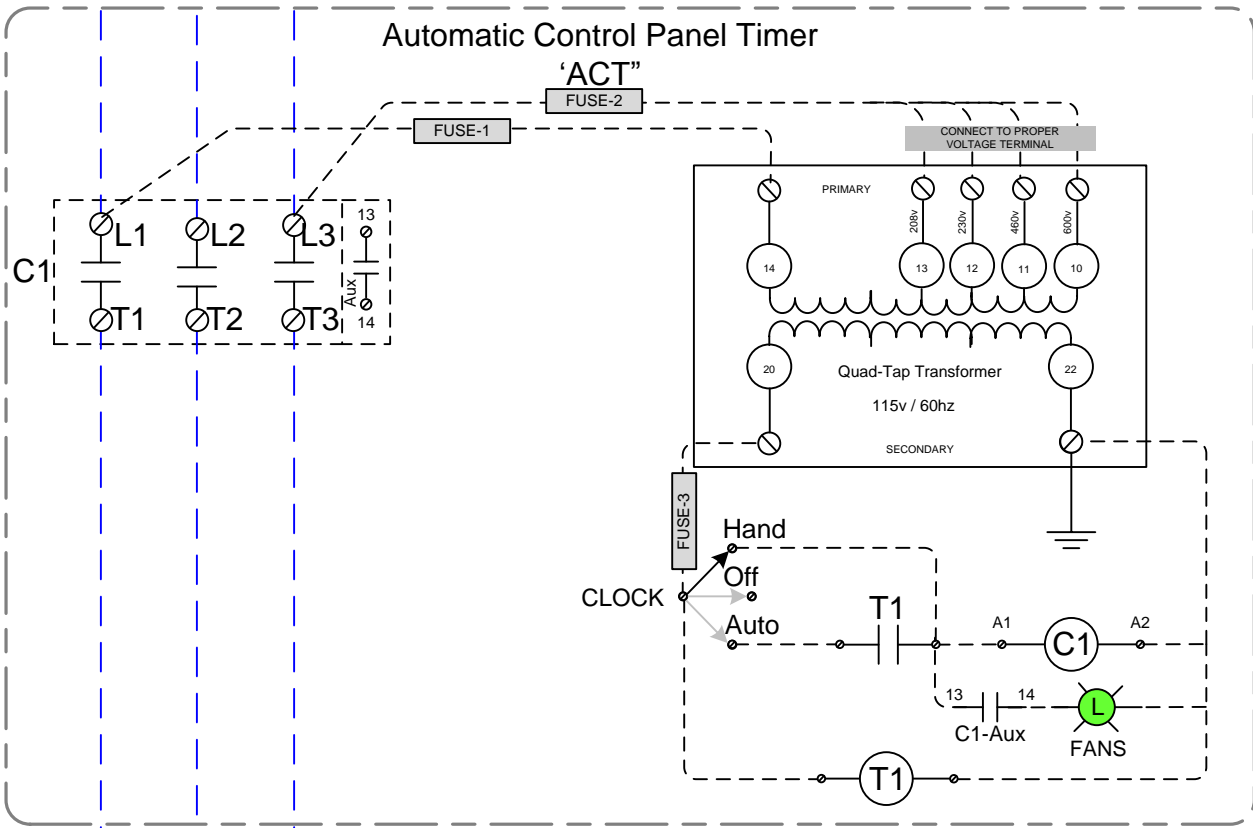


# 'ACT'

## Automatic Control Timer 'ACT-II'



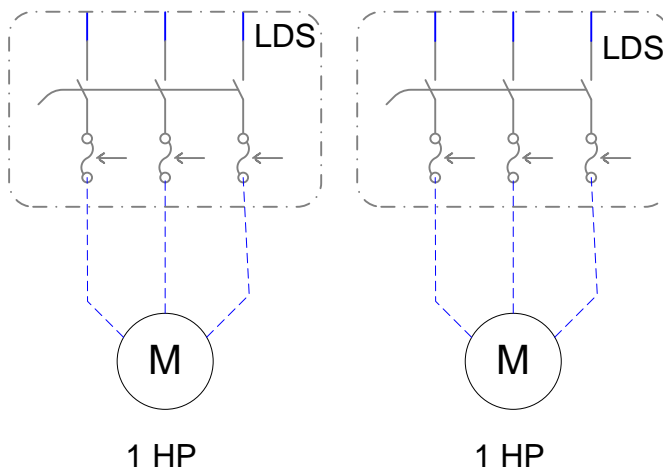
BY OWNER



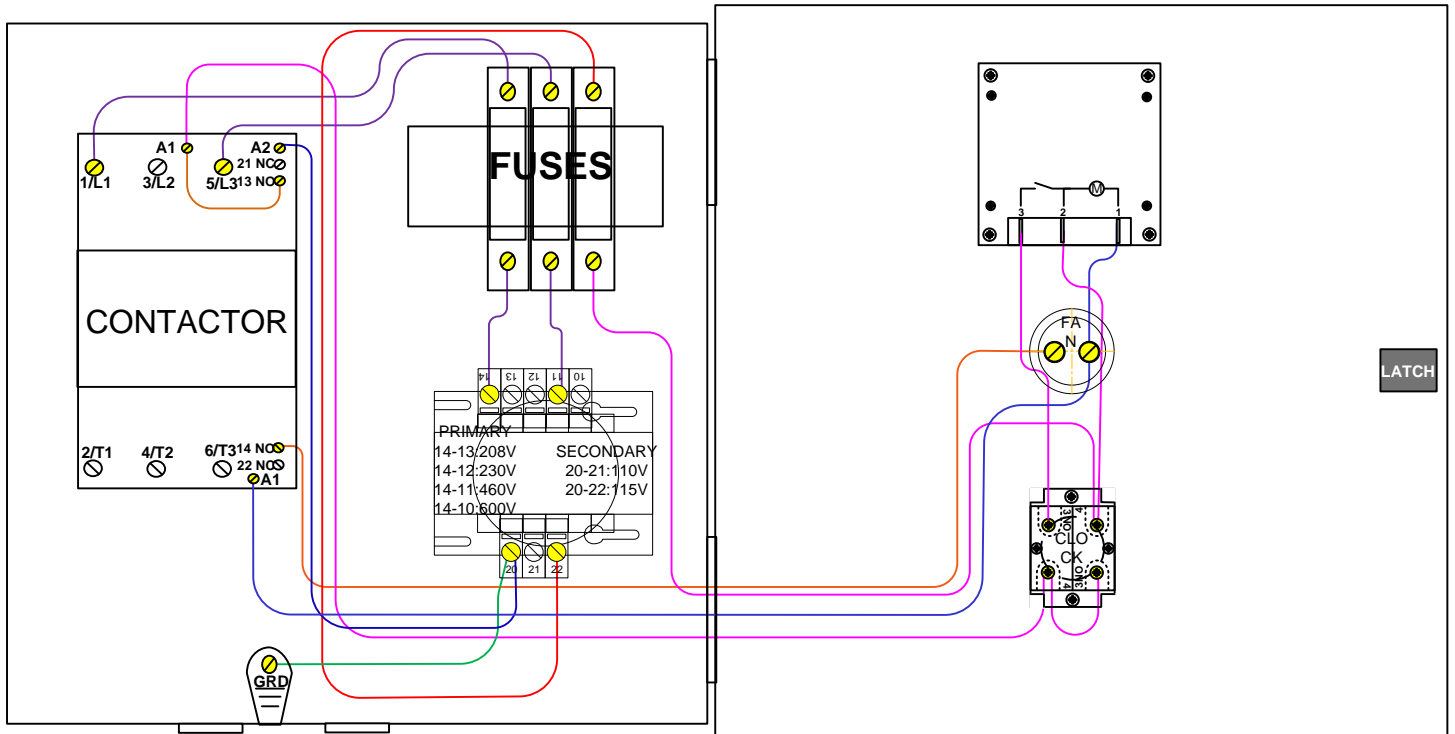
BY OWNER

**Maximum Number of SonicAire Fans per ACT**

Voltage	Quantity
208V	8
230V	10
460V	20
600V	24



# WIRING DIAGRAM

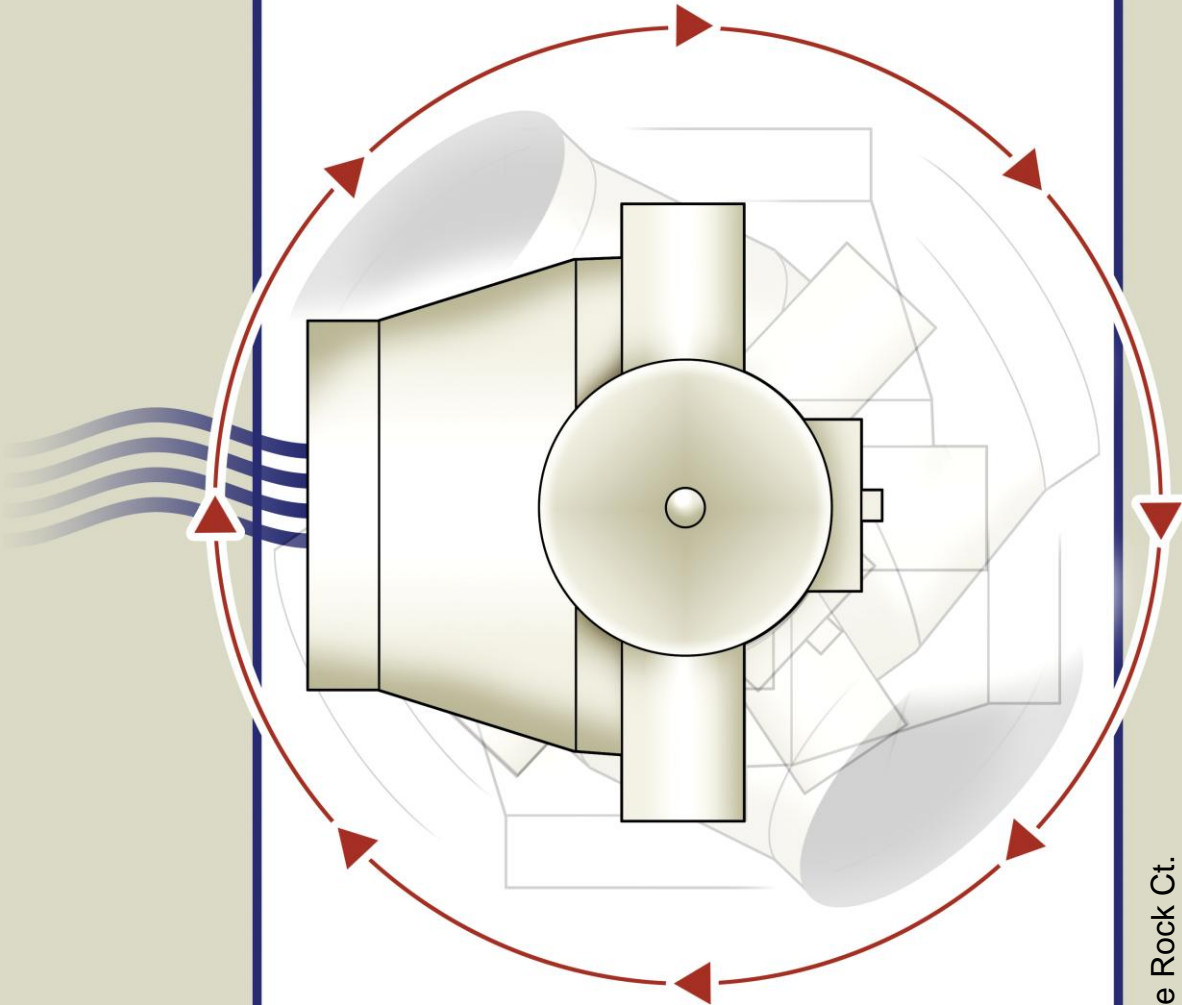


*The ACT enables the owner/manager to automatically start and stop multiple SonicAire fans during the unoccupied periods of time. This enables the SonicAire fans to clean both the overhead structures and the plant equipment when no personnel are in the building. The time clock can be set for as many hours a day as is required to keep the facility properly cleaned.*



INTEGRATED  
ENVIRONMENTAL  
SOLUTIONS

Clean just got cool.™



v.1

top view illustration

**SonicAire**

691 Blue Rock Ct.  
Winston-Salem, NC 27103  
Ph: 336-712-2437  
Fax: 810-454-0452  
Email: [Sales@IESclean.com](mailto:Sales@IESclean.com)  
Website: [www.IESclean.com](http://www.IESclean.com)